

PRODUCT INFORMATION PACKET

Model No: 090ST34FH6418
Catalog No: R377A
2,3600,TEFC,90SC,3/60/230/460
TEFC



Regal and Marathon are trademarks of Regal Beloit Corporation or one of its affiliated companies.
©2018 Regal Beloit Corporation, All Rights Reserved. MC017097E





Nameplate Specifications

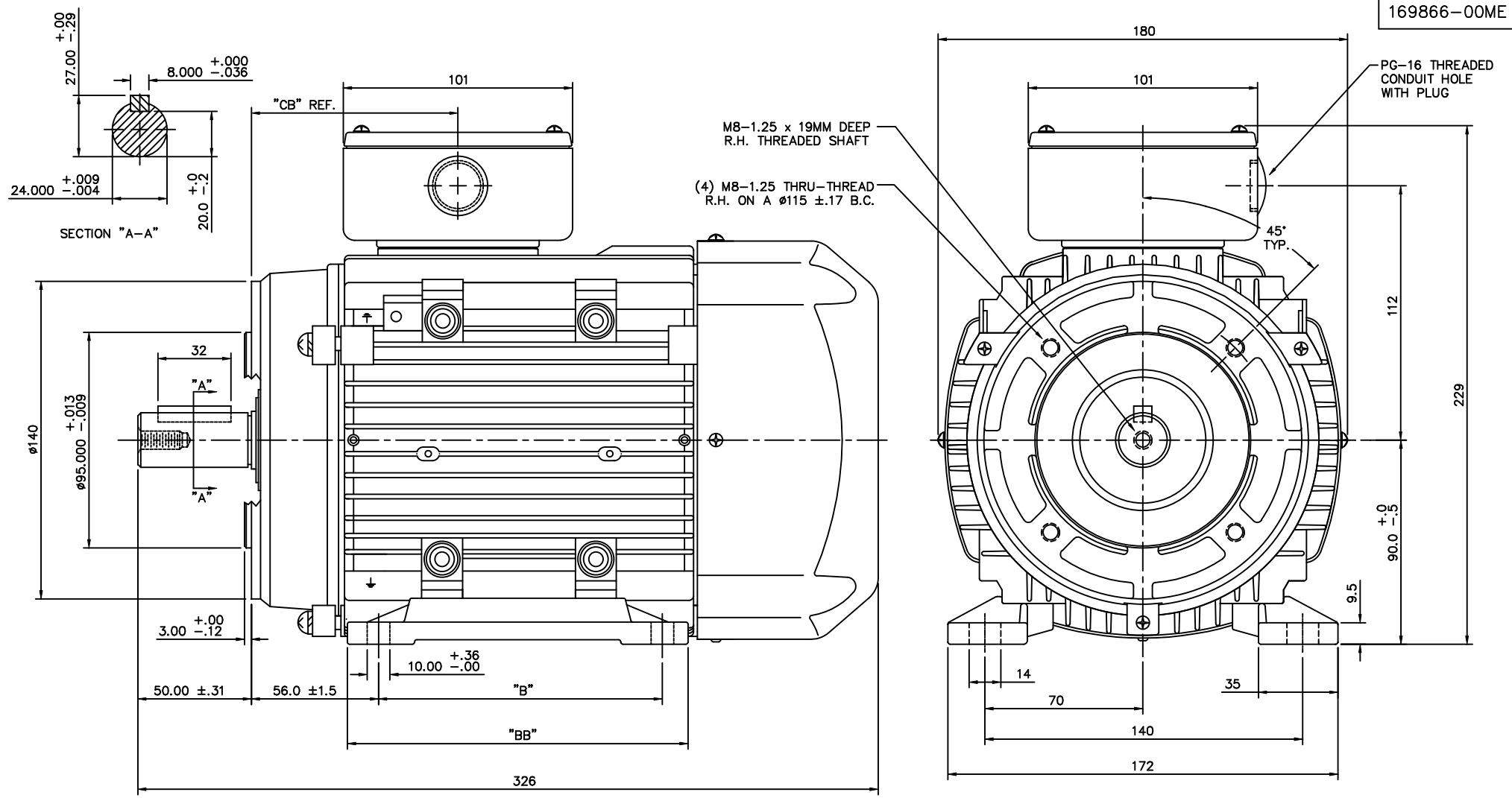
Output HP	2 Hp	Output KW	1.5 kW
Frequency	60 Hz	Voltage	230/460 V
Current	5.0/2.5 A	Speed	3520 rpm
Service Factor	1.15	Phase	3
Efficiency	85.5 %	Duty	Continuous
Insulation Class	F	Design Code	B
KVA Code	L	Frame	90S
Enclosure	Totally Enclosed Fan Cooled	Overload Protector	No
Ambient Temperature	40 °C	Drive End Bearing Size	6205
Opp Drive End Bearing Size	6205	UL	Recognized
CSA	Y	CE	Y
IP Code	55		

Technical Specifications

Electrical Type	Squirrel Cage Inverter Rated	Starting Method	Line Or Inverter
Poles	2	Rotation	Reversible
Mounting	Rigid base	Motor Orientation	Horizontal
Drive End Bearing	Ball	Opp Drive End Bearing	Ball
Frame Material	Aluminum	Shaft Type	IEC
Overall Length	12.83 in	Shaft Diameter	1.000 in
Shaft Extension	1.96 in	Assembly/Box Mounting	F3
Outline Drawing	16986600ME	Connection Diagram	00546501ME

This is an uncontrolled document once printed or downloaded and is subject to change without notice. Date Created: 06/29/2018

169866-00ME



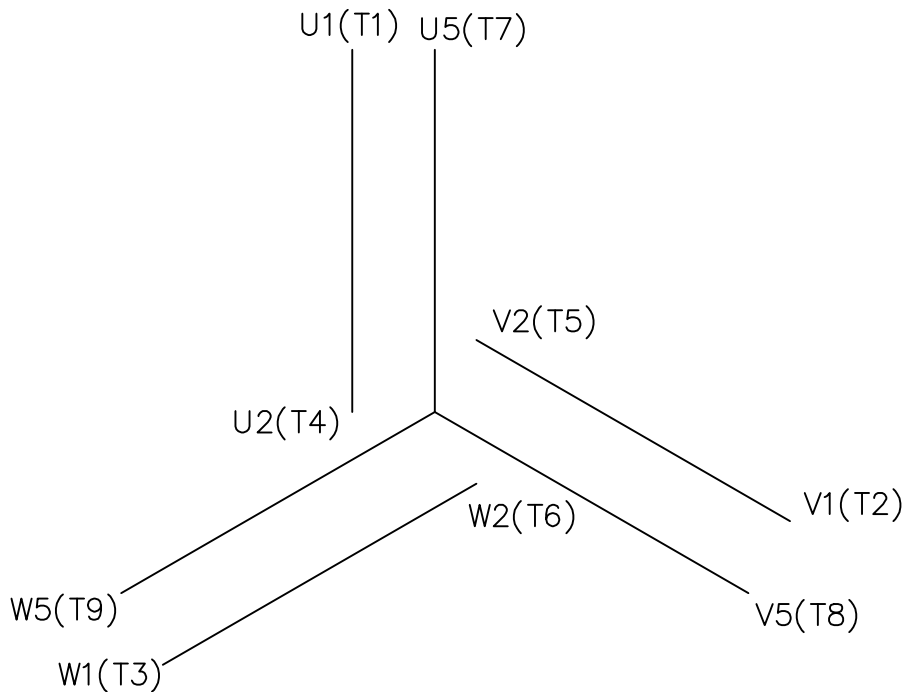
FRAME DESIGN	"B"	"BB"	"CB"
90L	125 ± 0.7	150	91
90S	100 ± 0.7	125	79
XXX	XXX	XXX	XXX

TOLERANCES UNLESS SPECIFIED		MARATHON ELECTRIC		DRAWN	ADS 01/30/02
DEC.	METRIC			CHK	
.X	± 2.5			APPD	
.XX	$\pm .76$	TITLE		SCALE	1=1.6
.XXX	$\pm .127$	IEC-90 FRAME RIGID W/B14 FLANGE		REF	OSVC-300-559
.XXXX	$\pm .0127$	MAT'L		FMF	LE STOCK
NO.	REVISION	BY & DATE	CHK	ANG	$\pm 1/2^\circ$
THIS DRAWING IN DESIGN AND DETAIL IS OUR PROPERTY AND MUST NOT BE USED EXCEPT IN CONNECTION WITH OUR WORK ALL RIGHTS OF DESIGN AND INVENTION ARE RESERVED THIS IS AN ELECTRONICALLY GENERATED DOCUMENT - DO NOT SCALE THIS PRINT			RFP	FINISH	
			DIST	CAD FILE	16986600ME
				SIZE	DRAWING NO.
				B	169866-00ME
				REV.	

```
ERROR: syntaxerror  
OFFENDING COMMAND: --nostringval--
```

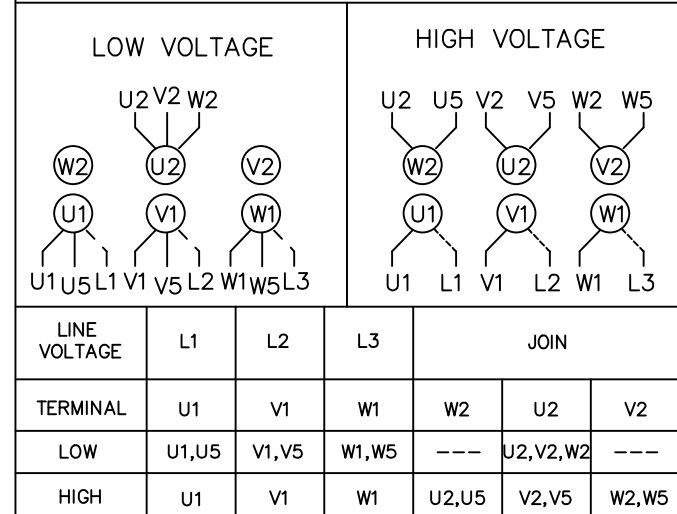
```
STACK:
```

```
/terminate  
-dictionary-  
/Pscript_WinNT_Compact  
-dictionary-
```

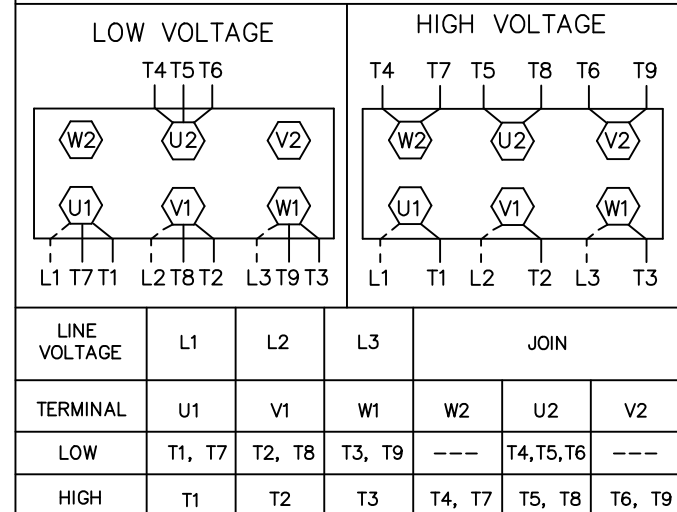


REF. DECAL (IEC) 080644
REF. DECAL (NEMA) 080446

IEC MARKINGS



NEMA MARKINGS



		TOLERANCES UNLESS SPECIFIED				DRAWN JGO 3/10/04			
		DEC.	INCHES			CHK SB 02-17-2010			
		.X	±.1			APPD MJS 02-17-2010			
		.XX	±.01			SCALE 1=1			
		.XXX	±.005			REF			
		.XXXX	±.0005	MAT'L. IEC/NEMA MARKINGS		FMF			
NO.	REVISION	BY & DATE	CHK	ANG	±1/2'	FINISH	PREV		
THIS DRAWING IN DESIGN AND DETAIL IS OUR PROPERTY AND MUST NOT BE USED EXCEPT IN CONNECTION WITH OUR WORK ALL RIGHTS OF DESIGN AND INVENTION ARE RESERVED THIS IS AN ELECTRONICALLY GENERATED DOCUMENT - DO NOT SCALE THIS PRINT			RFP	02-17-2010	CAD FILE	00546501ME	SIZE A	DRAWING NO. 005465ME-01	REV.

